

1128754 PLE CING. IM GERRIS 800

1128754_GERRISMUM800_R01W - R01W (23/5/2023)



Access Platform Division

Via San Francesco d'Assisi, 8 - 46020 Pegognaga (Mantova) - ITALY Tel. +39 0376
554011 - Fax +39 0376 559855

www.imergroup.com

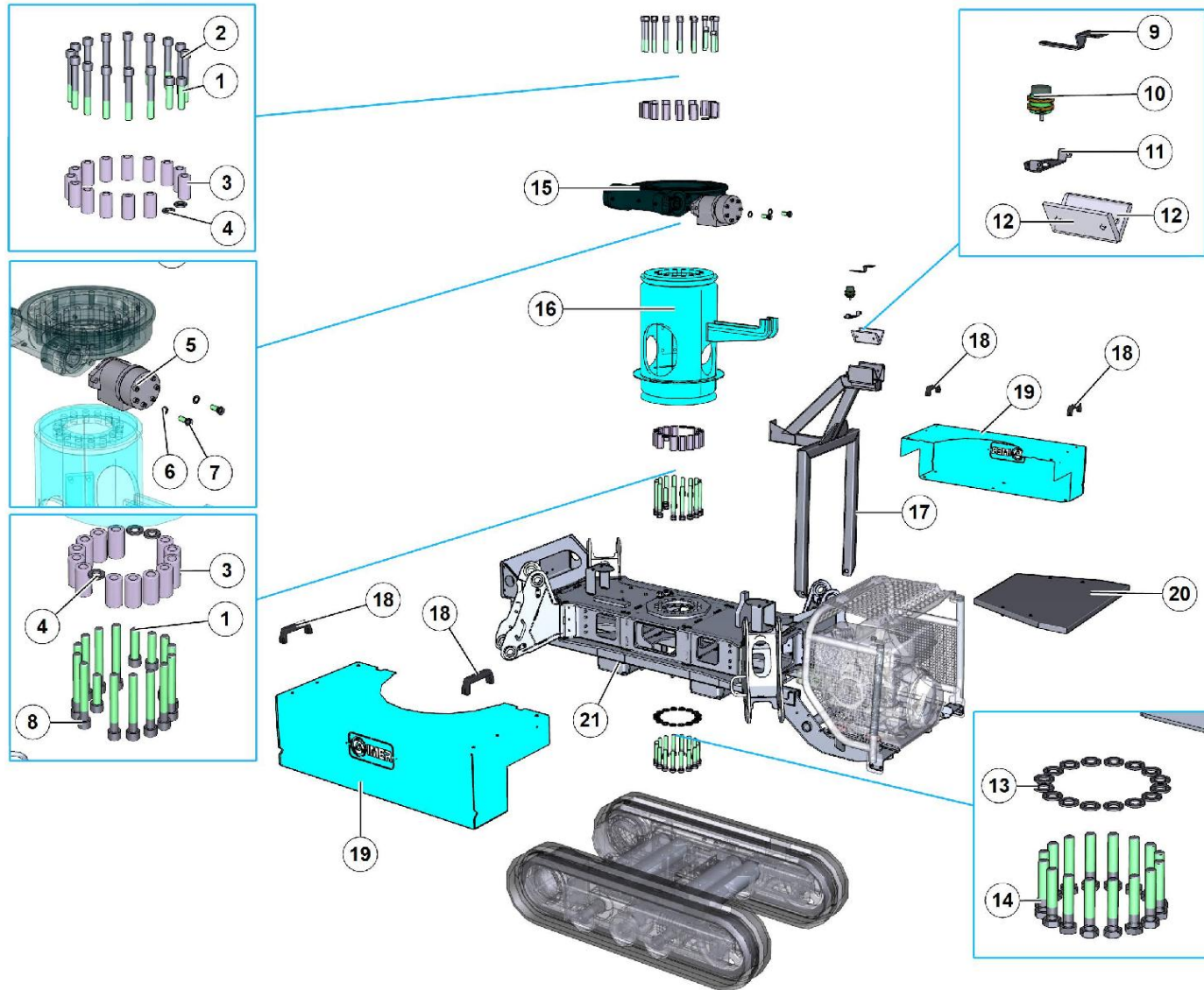
Building Equipment Division

Via della Meccanica, 39 (Zona Industriale Sentino) - 53040 Rapolano Terme
(Siena) - ITALY - Tel. +39 0577 97341 - Fax +39 0577 704077

www.imergroup.com

www.imerglobalcustomercare.com

BASE CARRIAGE



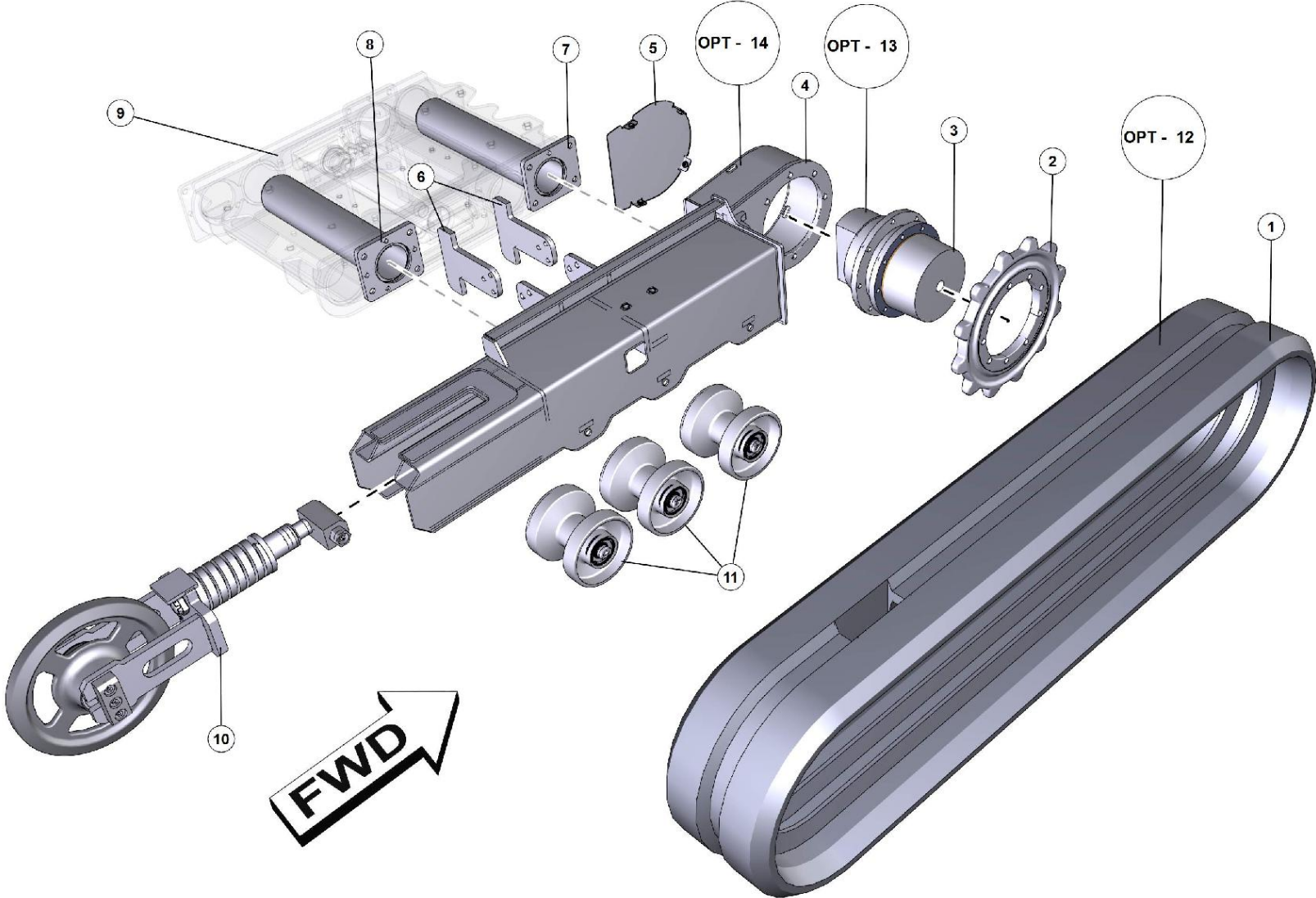


N.	CODE	DESCRIPTION	UM	QTY
1	041534	SCREW		5.0
2	019125	SCREW	PZ	14.0
3	85411166	DISTANCE BEARING	PZ	27.0
4	019091			7.0
5	040245	MOTOR	PZ	1.0
6	012327	WASHER	PZ	2.0
7	010251	SCREW	PZ	2.0
8	018933	SCREW	PZ	13.0
9	86903061	ASTA FINECORSA		1.0
10	041269	SENSOR	PZ	1.0
11	86903062	SUPPORTO SENSORE		1.0
12	86903056	PIATTO		2.0
13	012379	WASHER	PZ	16.0
14	018884	SCREW	PZ	16.0
15	040382	SCREW	PZ	1.0
16	86903001			1.0
17	86903042	ASSIEME CAVALLETTO APPOGGIO BRACCIO		1.0
18	026183	HANDLE	PZ	4.0
19	86401052	COVER	PZ	2.0
20	86903052	ASSIEME CARTE MOTORE		1.0
21	86401030	CHASSIS	PZ	1.0



N.	CODE	DESCRIPTION	UM	QTY
1	86913035	py TUBAZIONE CLS DN100 ÅÜ 4'1/2 LG.315	PZ	1.0
2	041435	GIUNTO A LEVA CLS 4'1/2	PZ	7.0
3	041369		PZ	7.0
4	041434	GUARNIZIONE CLS 4'1/2	PZ	7.0
5	86913036	py CURVA ÅÜ 4'1/2 CLS 90Å° DN 100 R.180	PZ	2.0
6	86913037	py CURVA ÅÜ 4'1/2 CLS 45Å° DN 100 R.140	PZ	2.0
8	041359	SUPPORT	PZ	2.0
9	86913039			1.0
10	86913062	py TUBAZIONE CLS DN100 ÅÜ 4'Å½- LG.210	PZ	1.0
11	010085	NUT		12.0
12	869020427021	ZAVORRA LATERALE RAL 7021		6.0
13	869020417021	ZAVORRA POSTERIORE SP.20 RAL.7021		6.0
14	86913061	TUBAZIONE CLS Å,4"Å½ A L 90Å° LG.450	PZ	1.0
15	86902043	PROTEZIONE BLOCCO TORRETTA		1.0
16	86902024	SUPP. A L BLOCCO TORRETTA		1.0
17	041225	DISTRIBUTOR	PZ	1.0
18	86411085	BLOCK	PZ	1.0
19	869020313268	ASSIEME SALDATO TORRETTA RINF RAL3268		1.0
20	86931002	SISTEMARE		3.0
21	86909049	py PERNO ÅÜ 30 LG.223 NITREX		1.0

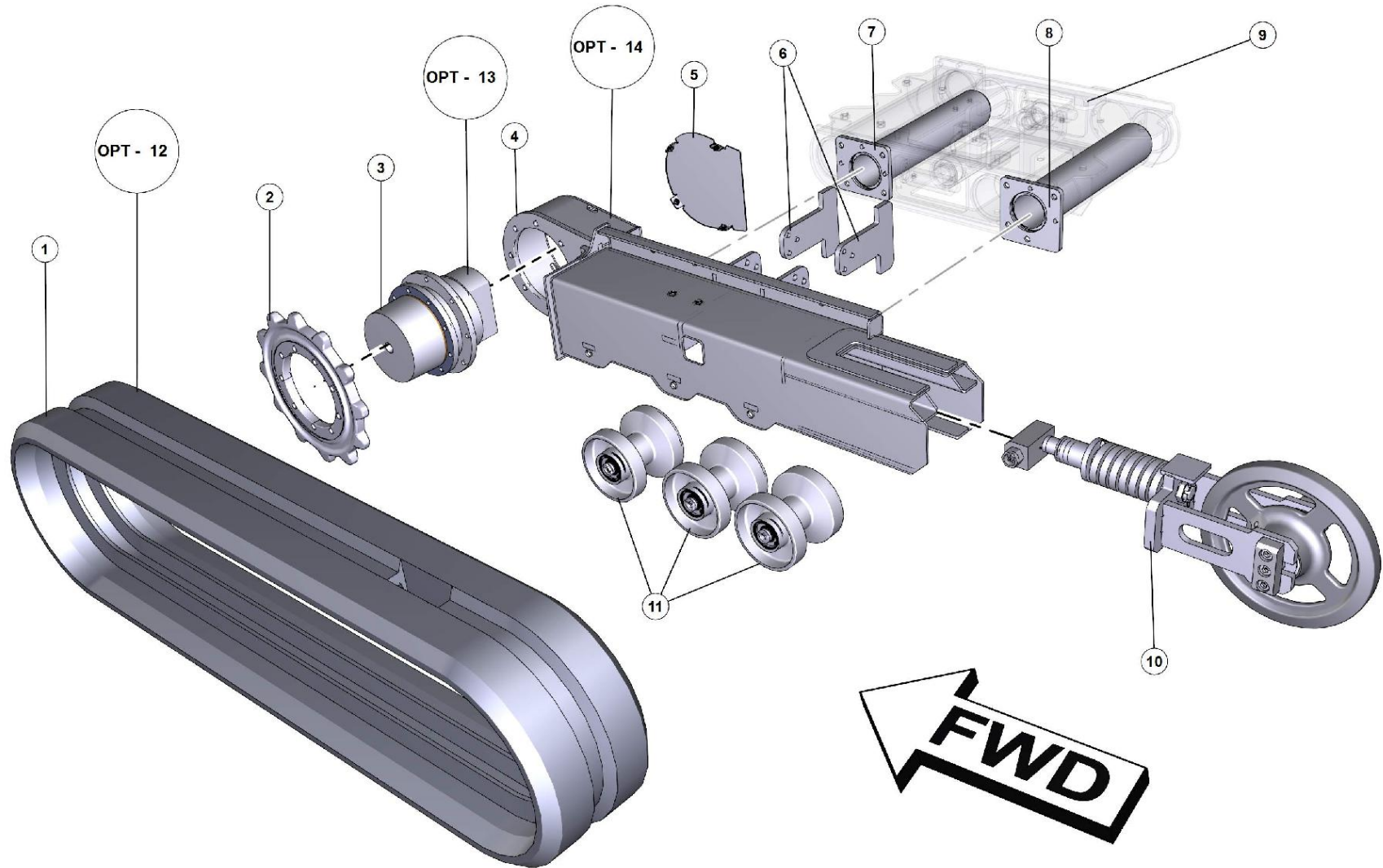
LEFT TRACK





N.	CODE	DESCRIPTION	UM	QTY
1	040383	TRACK	PZ	1.0
2	854011417021		PZ	1.0
3	0404617021	GEARMOTOR PAINTED	PZ	1.0
4	854012607021		PZ	1.0
5	85501242		PZ	1.0
6	85401106		PZ	2.0
7	854012477021		PZ	1.0
8	854012537021		PZ	1.0
9	854010697021		PZ	1.0
10	0402687021	CYLINDER + IDLER WHEEL RAL7021	PZ	1.0
11	0402697021		PZ	3.0
12	040537	TRACK RUBBER	PZ	1.0
13	0412657021	GEARMOTOR RAL7021	PZ	1.0
14	854012637021		PZ	1.0

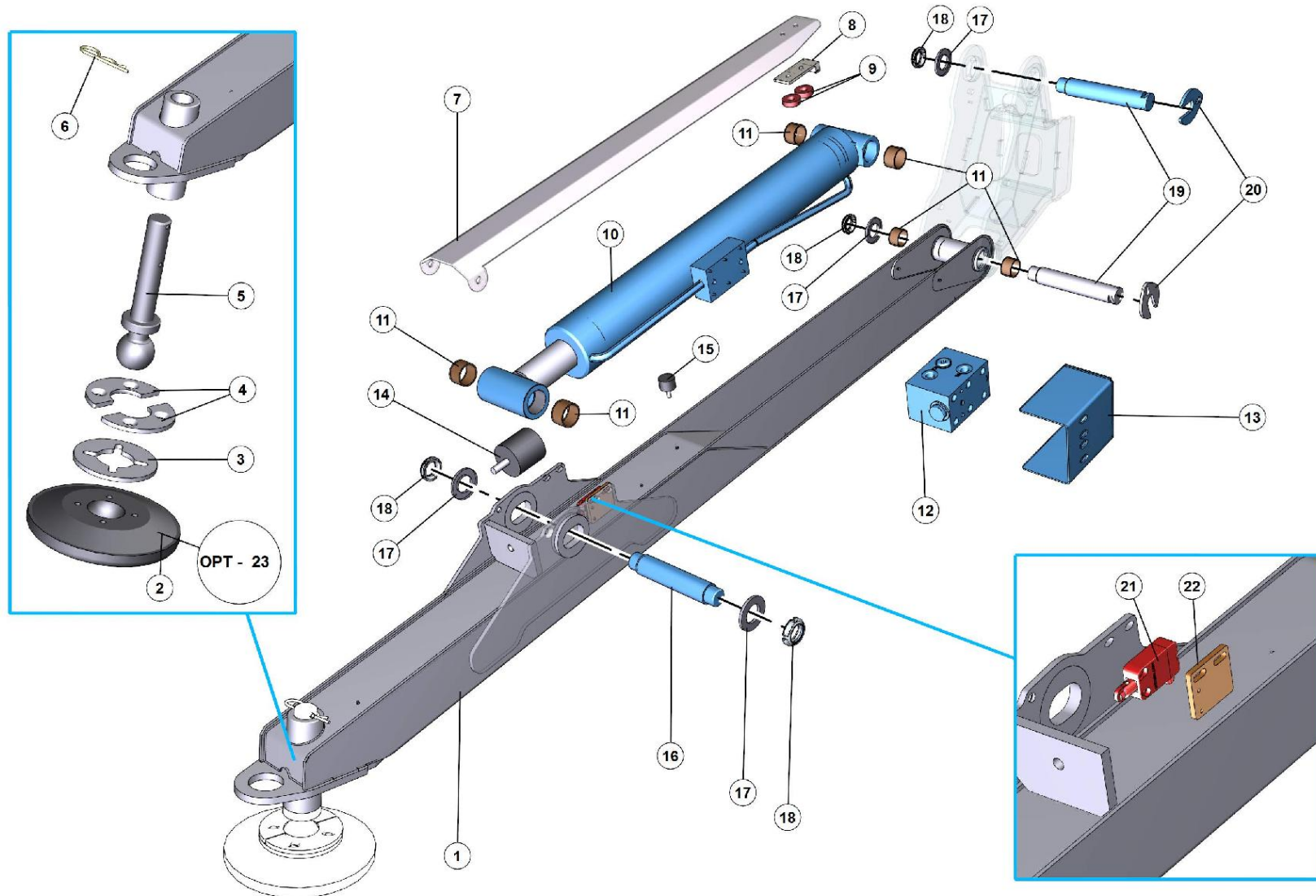
RIGHT TRACK





N.	CODE	DESCRIPTION	UM	QTY
1	040383	TRACK	PZ	1.0
2	854011417021		PZ	1.0
3	0404617021	GEARMOTOR PAINTED	PZ	1.0
4	854012577021		PZ	1.0
5	85501242		PZ	1.0
6	85401106		PZ	2.0
7	854012517021		PZ	1.0
8	854012497021		PZ	1.0
9	854010697021		PZ	1.0
10	0402687021	CYLINDER + IDLER WHEEL RAL7021	PZ	1.0
11	0402697021		PZ	3.0
12	040537	TRACK RUBBER	PZ	1.0
13	0412657021	GEARMOTOR RAL7021	PZ	1.0
14	854012627021		PZ	1.0

STABILISER



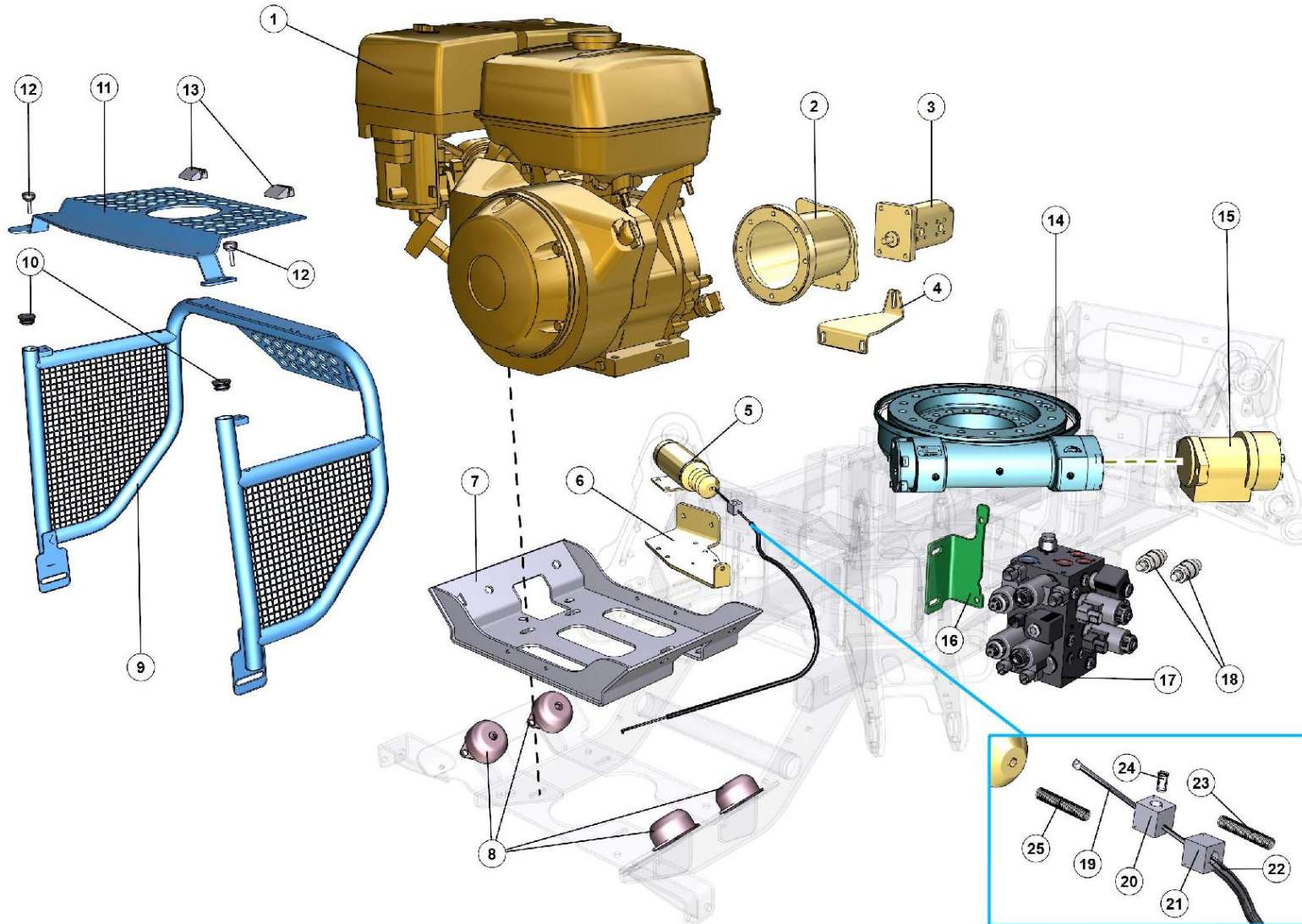


N.	CODE	DESCRIPTION	UM	QTY
1	86401040		PZ	1.0
2	85401001	FOOT D.200	PZ	1.0
3	85501200	DISTANCE BEARING	PZ	1.0
4	85501097	SEMI-FIXING PLATE	PZ	2.0
5	86401051	PIN	PZ	1.0
6	019106	LOCKNUT	PZ	1.0
7	86401045	PROTECTION	PZ	1.0
8	85501223	SLIDING BLOCK	PZ	1.0
9	040400	MAGNET	PZ	2.0
10	86412001	CYLINDER	PZ	1.0
11	025203	BUSHING	PZ	6.0
12	86405038	STABILIZER BLOCK	PZ	1.0
13	864010877021	COVER FOR STAB. BLOCK, PAINTED	PZ	1.0
14	040480	PUFFER	PZ	1.0
15	041342	BUMPER	PZ	1.0
16	86401044	PIN	PZ	1.0
17	018489	WASHER	PZ	4.0
18	025906	LOCK NUT	PZ	4.0
19	86401042	PIN	PZ	2.0
20	86411085	BLOCK	PZ	2.0
21	040361	MICROSWITCH	PZ	1.0



N.	CODE	DESCRIPTION	UM	QTY
22	86101098		PZ	1.0
23	85501219	FOOT PLATE D.350	PZ	1.0

RIGHT SIDE - PETROL



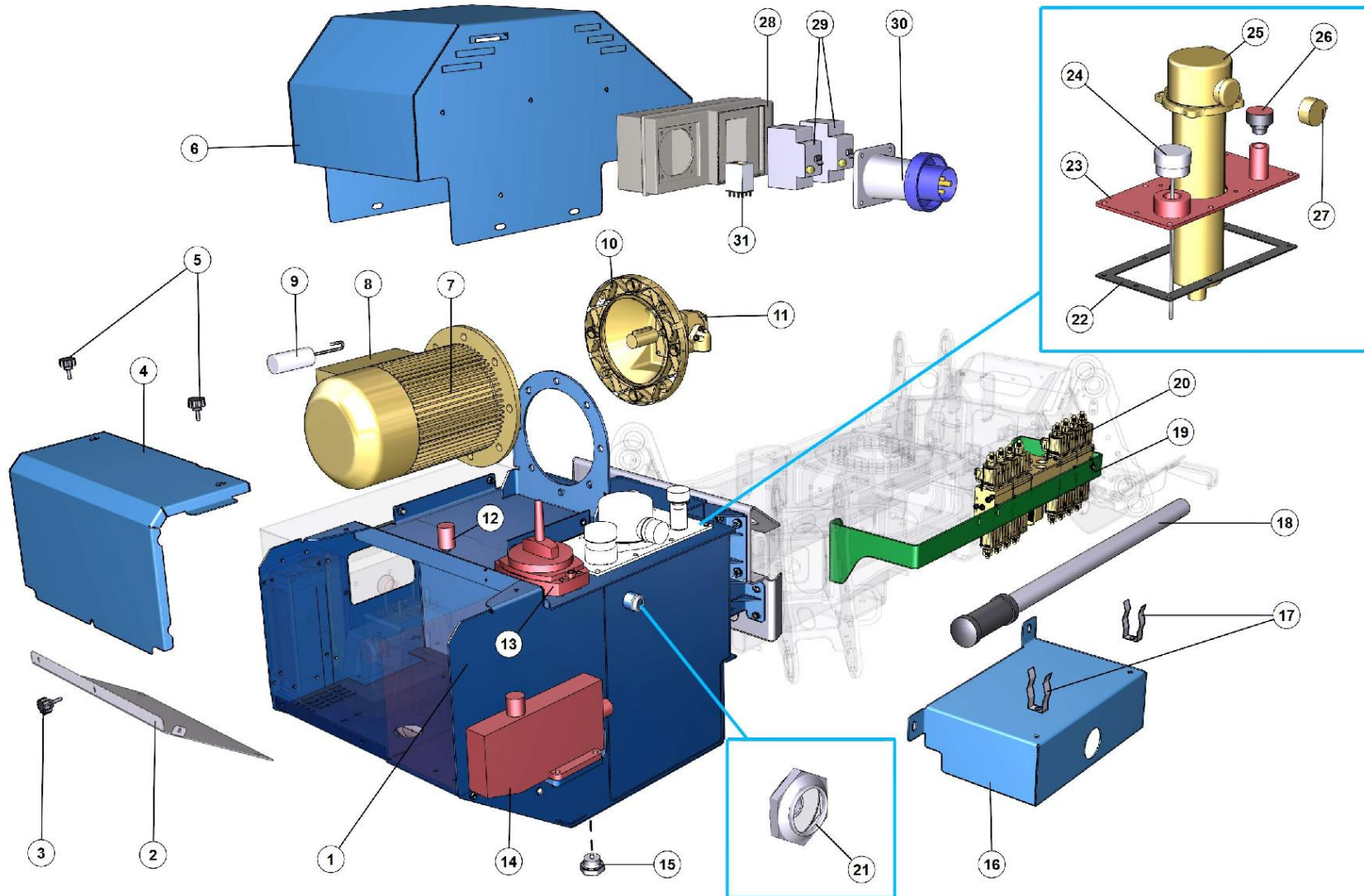


N.	CODE	DESCRIPTION	UM	QTY
1	040284	MOTOR	PZ	1.0
2	040445	MOTOR BELL HOUSING	PZ	1.0
3	040247	PUMP	PZ	1.0
4	85501211		PZ	1.0
5	026549	ACCELERATOR ELECTROMAGNET	PZ	1.0
6	85501164	MOTOR SUPPORT	PZ	1.0
7	855010857021		PZ	1.0
8	040263	DAMPING PAD	PZ	4.0
9	85501214		PZ	1.0
10	040448	CAP	PZ	2.0
11	85501281	COVER FOR MOTOR	PZ	1.0
12	027065	HANDLE	PZ	2.0
13	040302	HINGE	PZ	2.0
14	040382	SCREW	PZ	1.0
15	040245	MOTOR	PZ	1.0
16	041224	HYDRAULIC BLOCK	PZ	1.0
17	040219	PRESSURE SENSOR		1.0
18	86401056	SUPPORT	PZ	2.0
19	040377	WIRE	PZ	1.0
20	85501232	COMPASS FOR MAGNET	PZ	1.0
21	82801137	COMPASS FOR MAGNET	PZ	1.0



N.	CODE	DESCRIPTION	UM	QTY
22	040378	WIRE	PZ	1.0
23	026568	SPRING	PZ	1.0
24	026391	LOCK	PZ	1.0
25	85501233		PZ	1.0

LEFT SIDE - TANK



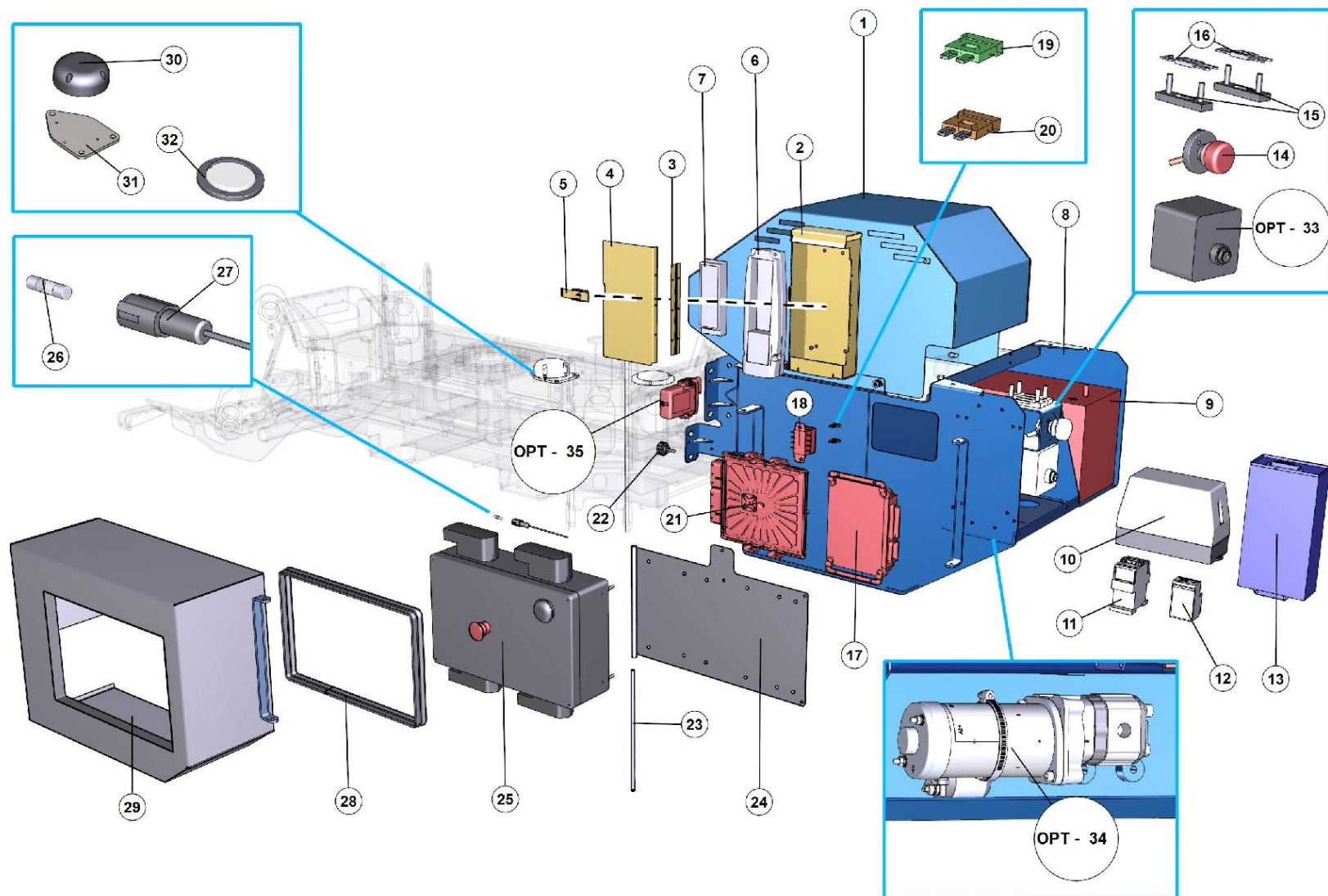


N.	CODE	DESCRIPTION	UM	QTY
1	862011077021		PZ	1.0
2	86201274	TANK COVER	PZ	1.0
3	026084	LOBE HANDWHEEL	PZ	1.0
4	862012737021	SUPERIOR COVER FOR OIL TANK, RAL7021	PZ	1.0
5	040412	THUMB SCREW	PZ	2.0
6	86401082	COVER FOR ELEC. MOTOR	PZ	1.0
7	040300	MOTOR	PZ	1.0
8	040966	CAPACITOR BOX	PZ	1.0
9	040707	CAPACITOR		1.0
10	041474	BELL	PZ	1.0
11	040453	PUMPE	PZ	1.0
12	040419	POFFER	PZ	1.0
13	040281	RECEIVER	PZ	1.0
14	041014	PUMP	PZ	1.0
15	040264	MAGNETIC CAP	PZ	1.0
16	862012727021	OIL FILTER COVER,RAL 7021	PZ	1.0
17	79502016	LEVER CLIP	PZ	2.0
18	79502017	LEVER	PZ	1.0
19	86401054	SUPPORT	PZ	1.0
20	041226	MAIN HYDRAULIC BLOCK	PZ	1.0
21	040265	FUEL LEVEL GAUGE	PZ	1.0



N.	CODE	DESCRIPTION	UM	QTY
22	86101081	SEAL FOR OIL TANK COVER	PZ	1.0
23	86101168		PZ	1.0
24	024737	OIL LEVEL	PZ	1.0
25	041090	HYDR. OIL FILTER COMPLETE	PZ	1.0
26	040728	CAPTEUR	PZ	1.0
27	027380	PRESSURE-GAUGE	PZ	1.0
28	040337	SWITCH BOX	PZ	1.0
29	040339	SWITCH	PZ	2.0
30	040352	PLUG	PZ	1.0
31	041062	RELAY	PZ	1.0

RIGHT SIDE - ELEC. COMP.





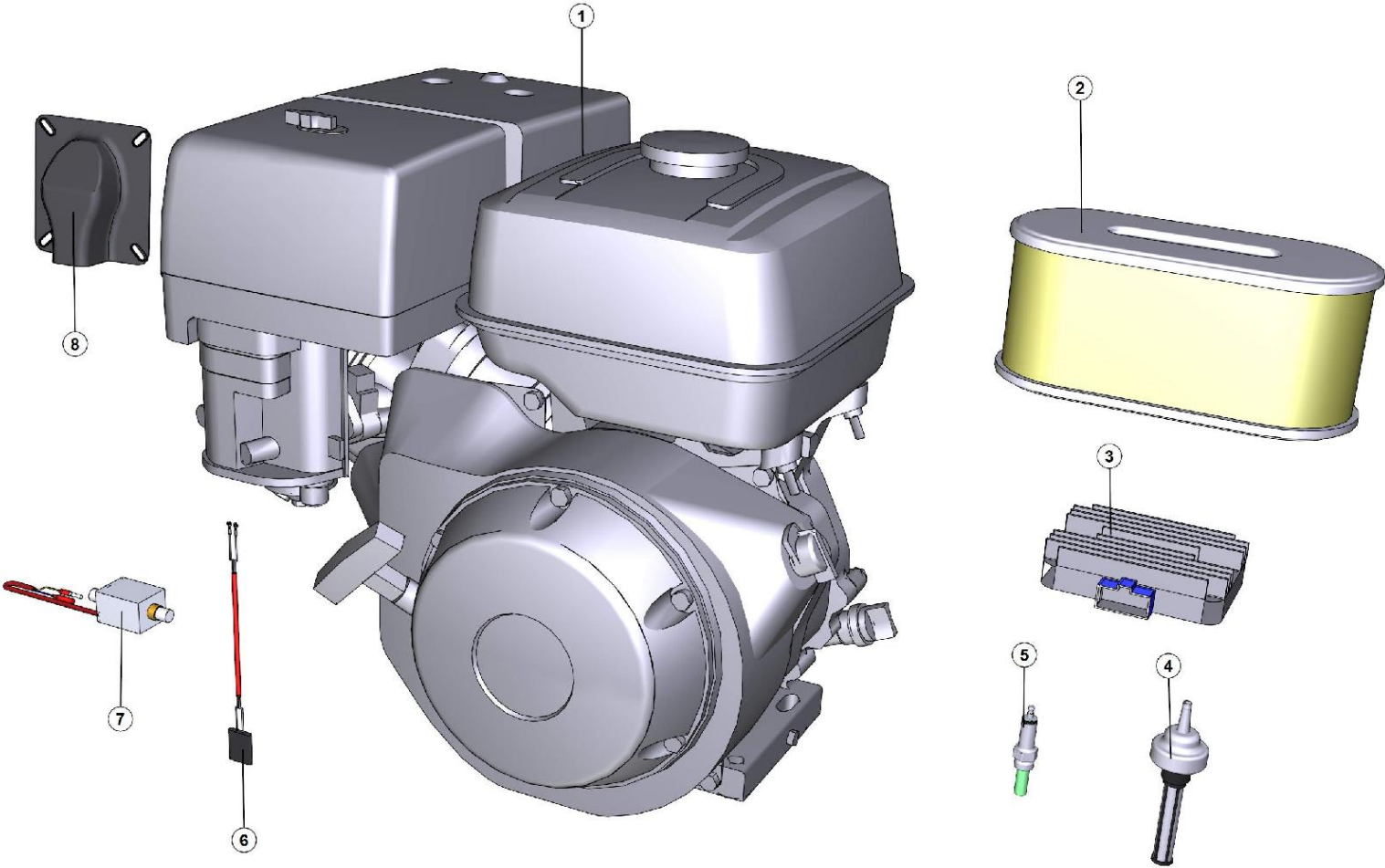
N.	CODE	DESCRIPTION	UM	QTY
1	86401082	COVER FOR ELEC. MOTOR	PZ	1.0
2	85503134		PZ	1.0
3	040829	HINGE	PZ	1.0
4	85503135		PZ	1.0
5	025887	LOCK	PZ	1.0
6	040429	BATTERY CHARGER	PZ	1.0
7	040428	BATTERY	PZ	1.0
8	862011077021		PZ	1.0
9	040703	BATTERY ZENITH ZLM120075 12V 110AH C5		1.0
10	040578	CASE	PZ	1.0
11	040576	CONTACTOR	PZ	1.0
12	040577	THERMAL RELAY	PZ	1.0
13	040348	RECTIFIER	PZ	1.0
14	040569	SWITCH	PZ	1.0
15	025325	FUSE CARRIER	PZ	2.0
16	040359	FUSE	PZ	2.0
17	040340	ELECTRIC CONTROL UNIT	PZ	1.0
18	026413	FUSE CARRIER BOX	PZ	1.0
19	040423	FUSE	PZ	1.0
20	026212	FUSE	PZ	1.0
21	041072	CONTROL UNIT HY-TTC510	PZ	1.0



N.	CODE	DESCRIPTION	UM	QTY
22	026084	LOBE HANDWHEEL	PZ	1.0
23	86201319	PIVOT	PZ	1.0
24	86401059	SUPPORT	PZ	1.0
25	86906001	SCATOLA DI TERRA IM GERRIS 800		1.0
26	040346	GLASS FUSE	PZ	1.0
27	040345	FUSE CARRIER	PZ	1.0
28	041045			1.0
29	862013227021	CARTER RAL7021	PZ	1.0
30	041037	INCLINOMETER	PZ	1.0
31	85801061	INCLINOMETER PLATE	PZ	1.0
32	040384	INCLINOMETER	PZ	1.0
33	85506039	EMERGENCY PUMP BOX	PZ	1.0
34	040301	ELECTROPUMP	PZ	1.0
35	041109		PZ	1.0



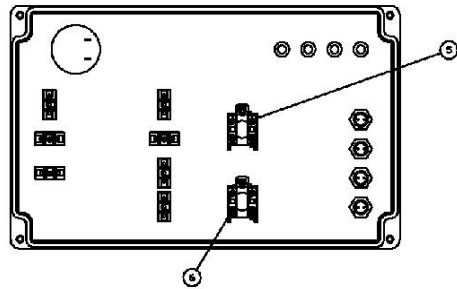
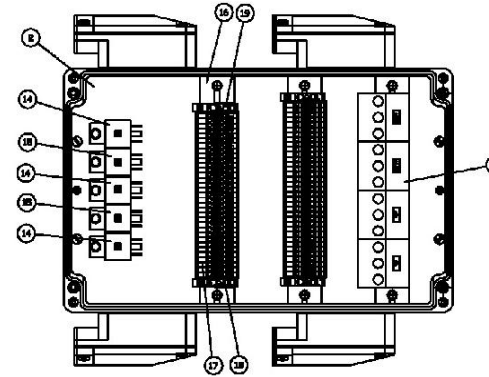
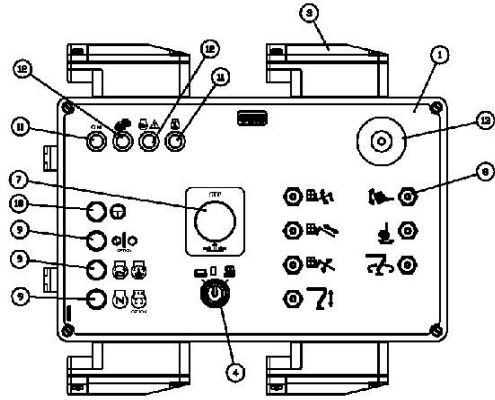
PETROL ENGINE





N.	CODE	DESCRIPTION	UM	QTY
1	040284	MOTOR	PZ	1.0
2	041028	FILTER	PZ	1.0
3	040621	REGULATOR	PZ	1.0
4	041343	PETROL FILTER + O-RING	PZ	1.0
5	041344	ENGINE SPARK PLUG	PZ	1.0
6	85506034		PZ	1.0
7	040319	ELECTROMAGNET	PZ	1.0
8	040937	DEFLECTOR	PZ	1.0

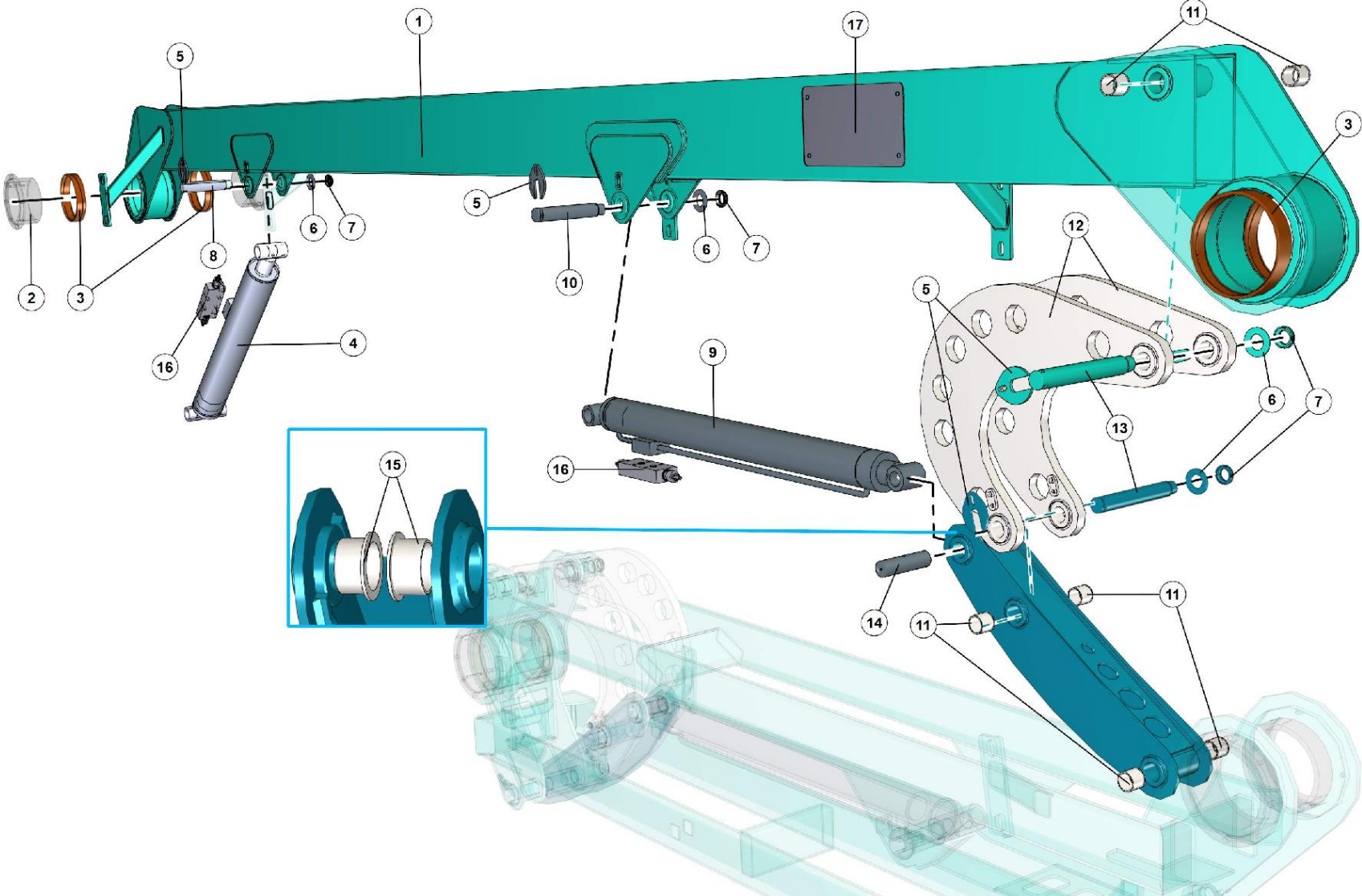
GROUND CONTROL PANEL





N.	CODE	DESCRIPTION	UM	QTY
1	86906003	ADESIVO SCATOLA DI TERRA IM GERRIS 800		1.0
2	85506004		PZ	1.0
3	025178	JUNCTION BOX	PZ	4.0
4	040938	KEY SELECTOR	PZ	1.0
5	026121	CONTACT	PZ	1.0
6	027240	CONTACT	PZ	4.0
7	026735	PUSH-BUTTON	PZ	1.0
8	024695	SWITCH	PZ	7.0
9	026741	BUTTON	PZ	3.0
10	040320	GREEN BUTTON	PZ	1.0
11	041283	GREEN SPY 12V	PZ	2.0
12	041284	RED SPY 12V	PZ	2.0
13	040323	AUDIBLE WARNING DEVICE	PZ	1.0
14	040324	RELAY	PZ	3.0
15	040325	RELAY	PZ	2.0
16	040326		PZ	1.0
17	040327	CLAMPING STRIP	PZ	68.0
18	040328		PZ	4.0
19	040329		PZ	4.0
20	040698	CLAMPING STRIP	PZ	4.0

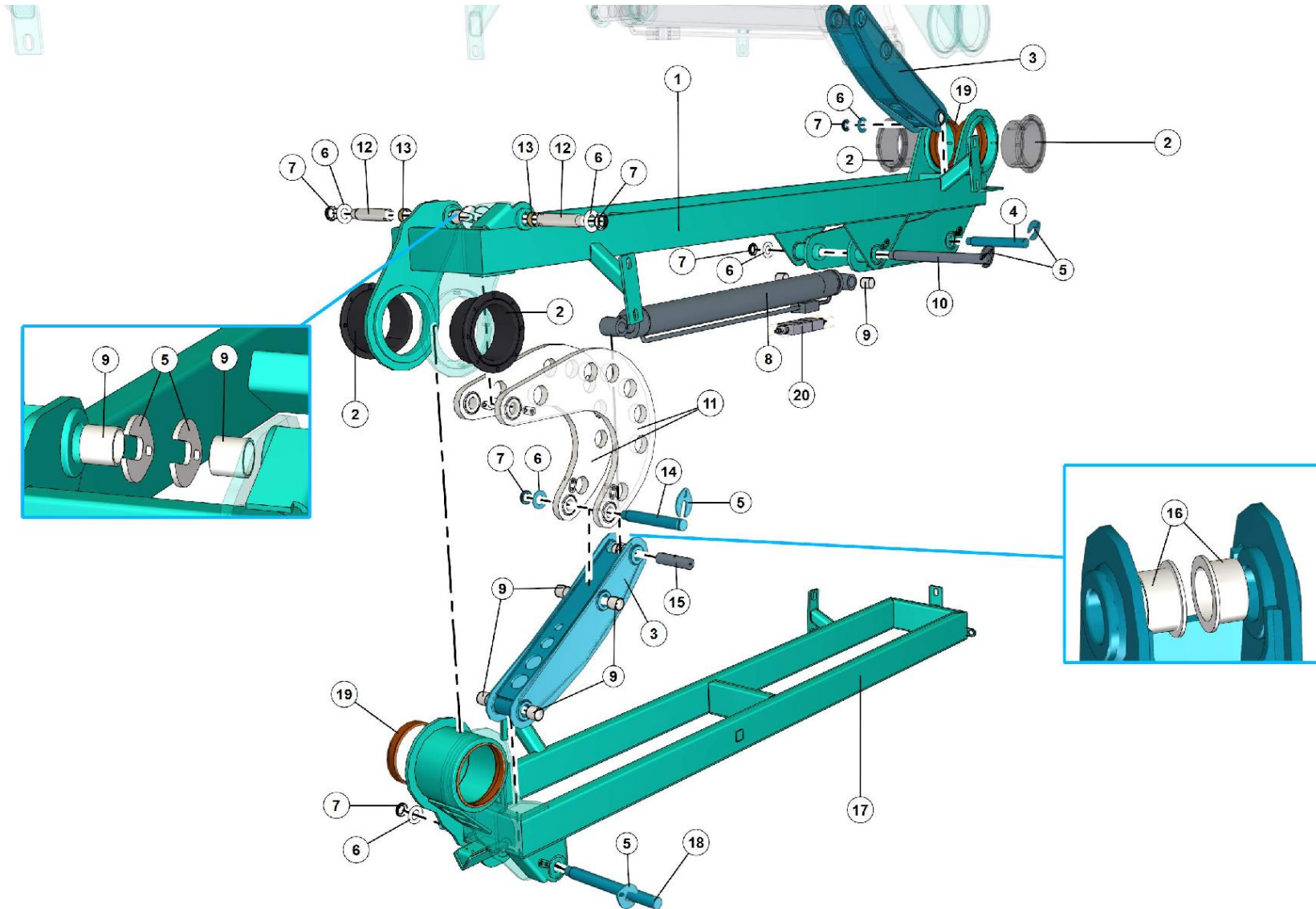
MAIN ARM





N.	CODE	DESCRIPTION	UM	QTY
1	86911060	ASSIEME BRACCIO PRIMA SEZ GERRIS RINF		1.0
2	86909025			2.0
3	86909018			4.0
4	86912005	CILINDRO TORRETTA GERRIS		1.0
5	86411085	BLOCK	PZ	4.0
6	041374			4.0
7	025906	LOCK NUT	PZ	4.0
8	86909031	PERNO D. 30 LG.153 NITREX		1.0
9	86912006	CILINDRO BRACCIO GERRIS		1.0
10	86909046	þÿPERNO ÅÜ 30 LG.173		1.0
11	024512	BUSHING	PZ	6.0
12	86913041	ASS.SALDATO 'BANANA' GERRIS		2.0
13	86909047	þÿPERNO ÅÜ 30 LG.214 NITREX		2.0
14	86909042	þÿPERNO ÅÜ 30 LG.109 NITR		1.0
15	041530	BUSHING		2.0
16	041233	VALVE	PZ	2.0
17	86911104	CARTER PRIMO BRACCIO		1.0

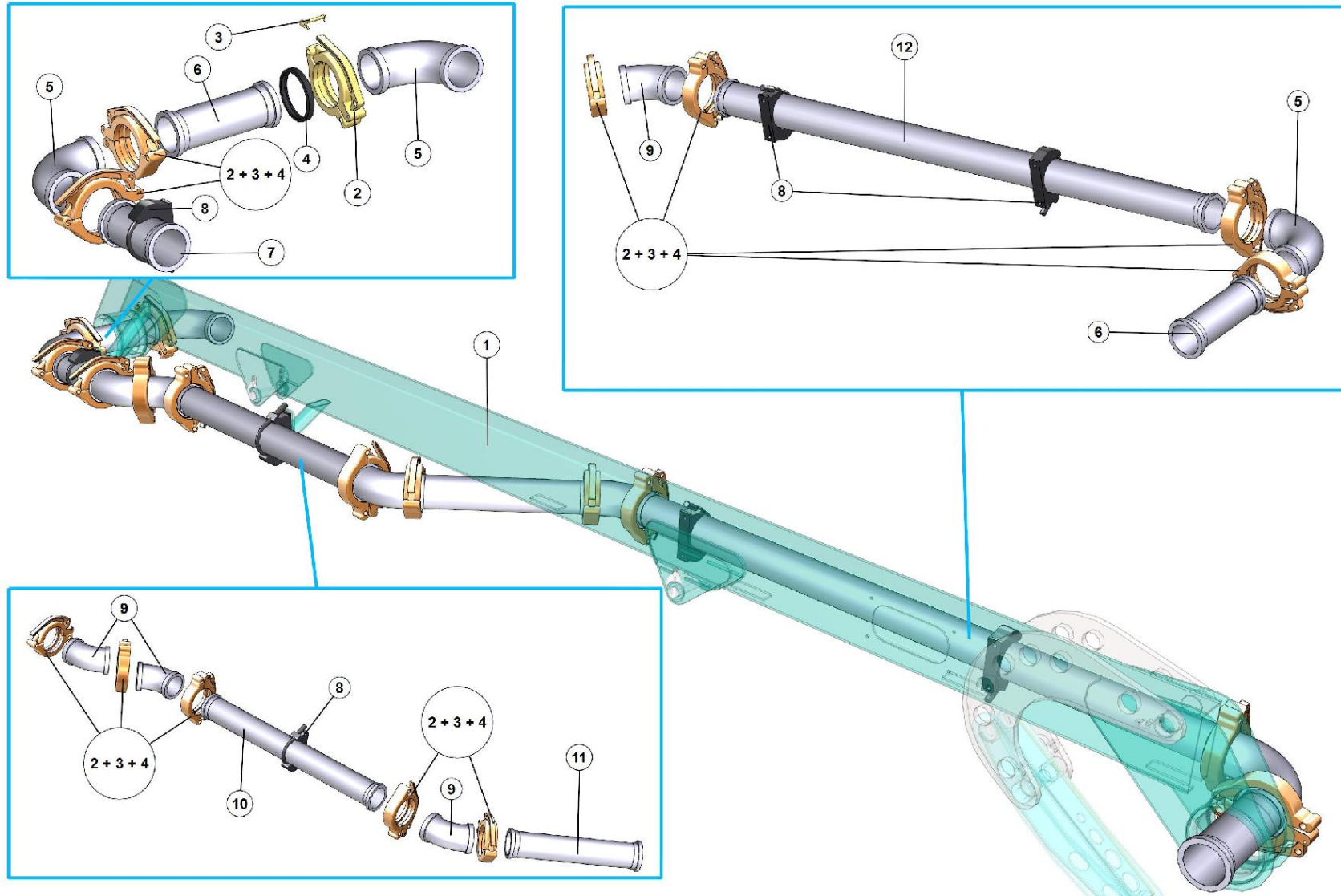
SECOND AND THIRD ARMS





N.	CODE	DESCRIPTION	UM	QTY
1	86911087	TUBOLARE		1.0
2	86909025			4.0
3	86913045	ASSIEME SALDATO BILANCIERE RINFORZATO		2.0
4	86909047	py PERNO Å Ü 30 LG.214 NITREX		1.0
5	86411085	BLOCK	PZ	6.0
6	041374			6.0
7	025906	LOCK NUT	PZ	6.0
8	86912006	CILINDRO BRACCIO GERRIS		1.0
9	024512	BUSHING	PZ	8.0
10	86909048	py PERNO Å Ü 30 LG.334		1.0
11	86913041	ASS.SALDATO 'BANANA' GERRIS		2.0
12	86909045	py PERNO Å Ü 30 LG.139		2.0
13	026519	BUSHING	PZ	2.0
14	86909044	py PERNO Å Ü 30 LG.203		1.0
15	86909042	py PERNO Å Ü 30 LG.109 NITR		1.0
16	041530	BUSHING		2.0
17	86911072	ASSIEME BRACCIO IIIÅ° SEZ GERRIS RINF		1.0
18	86909043	py PERNO Å Ü 30 LG.306 NITREX		1.0
19	86909018			4.0
20	041233	VALVE	PZ	1.0

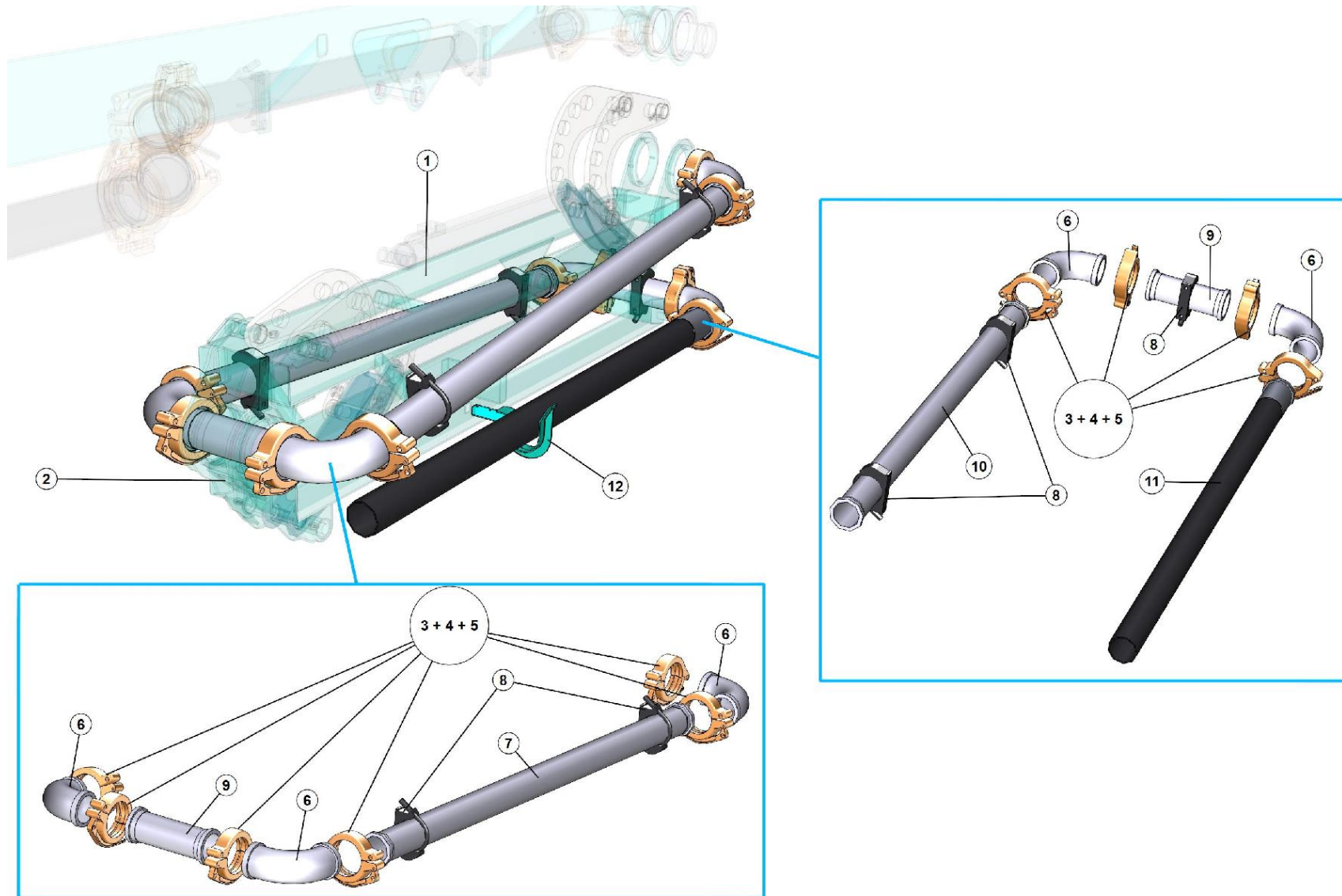
HOISES MAIN ARM





N.	CODE	DESCRIPTION	UM	QTY
1	86911060	ASSIEME BRACCIO PRIMA SEZ GERRIS RINF		1.0
2	041435	GIUNTO A LEVA CLS 4'1/2	PZ	12.0
3	041369		PZ	12.0
4	041434	GUARNIZIONE CLS 4'1/2	PZ	12.0
5	86913036	py CURVA ÅÜ4'1/2 CLS 90Å° DN 100 R.180	PZ	3.0
6	86913035	py TUBAZIONE CLS DN100 ÅÜ 4'1/2 LG.315	PZ	2.0
7	86913052	TUBAZIONE 4"Å½ CLS DN 100 LG.250	PZ	1.0
8	041359	SUPPORT	PZ	4.0
9	86913037	py CURVA ÅÜ4'1/2 CLS 45Å° DN 100 R.140	PZ	4.0
10	86913054	TUBAZIONE CLS DN 100 LG.980	PZ	1.0
11	86913055	TUBAZIONE 4" Å½ CLS DN 100 LG.482	PZ	1.0
12	86913056	TUBAZIONE 4"Å½ CLS DN 100 LG.2015	PZ	1.0

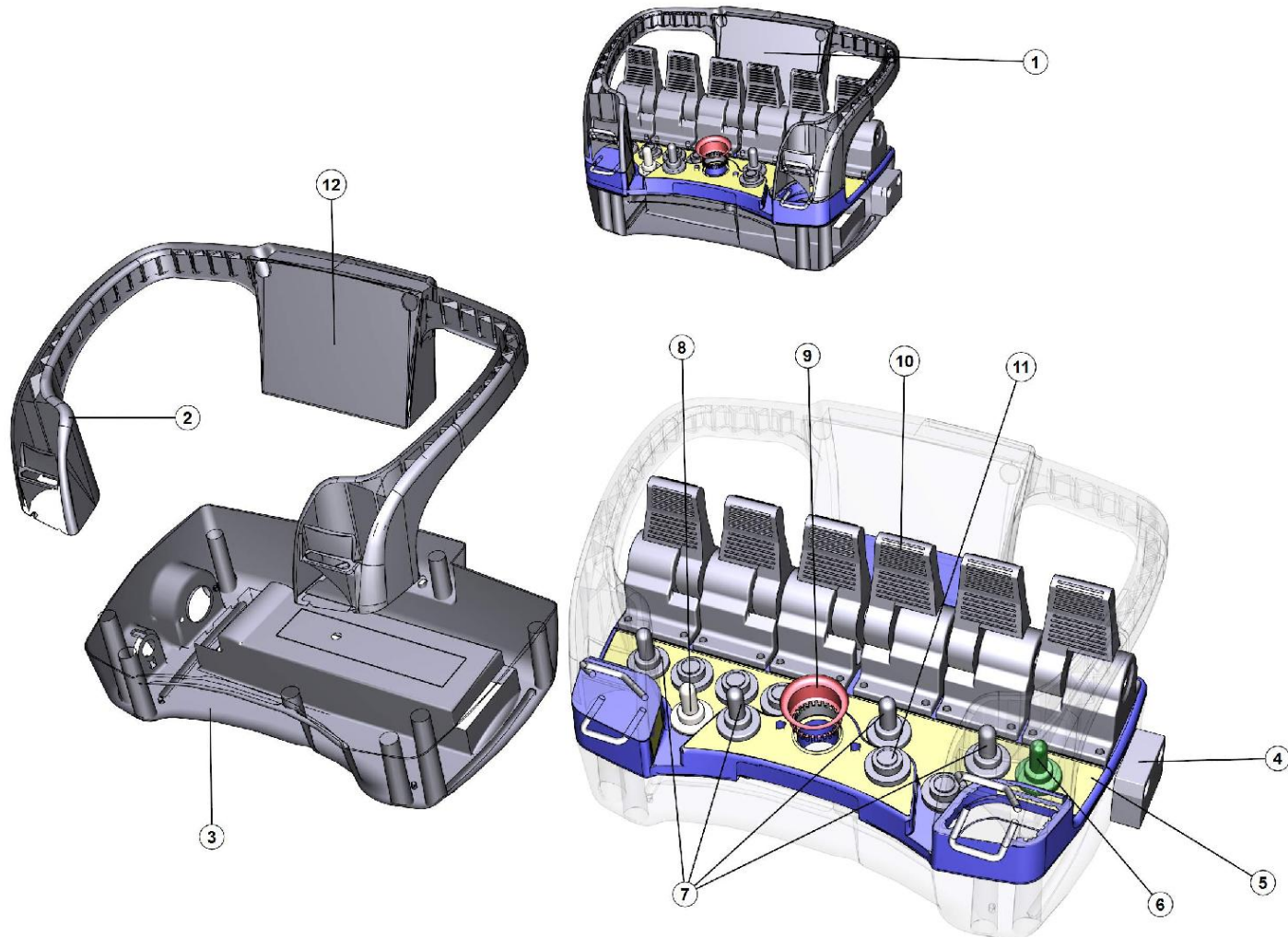
HOISES SECOND AND THIRD ARM





N.	CODE	DESCRIPTION	UM	QTY
1	86911067	BRACCIO II RINFORZATO		1.0
2	86911072	ASSIEME BRACCIO IIIÂ° SEZ GERRIS RINF		1.0
3	041435	GIUNTO A LEVA CLS 4'1/2	PZ	10.0
4	041369		PZ	10.0
5	041434	GUARNIZIONE CLS 4'1/2	PZ	10.0
6	86913036	þCURVA Å4'1/2 CLS 90Â° DN 100 R.180	PZ	5.0
7	86913059	þTUBO CALCESTRUZZO DN100 Å 4'-4'12 LG.30	PZ	1.0
8	041359	SUPPORT	PZ	5.0
9	86913035	þTUBAZIONE CLS DN100 Å 4'1/2 LG.315	PZ	2.0
10	86913057	þTUBO CALCESTRUZZO DN100 Å 4'-4'12 LG.30	PZ	1.0
11	86913064	þTUBAZIONE GOMMA CLS DN100 Å 4'1/ LG.200	PZ	1.0
12	86913016		PZ	1.0

PUSH-BUTTON PANEL





N.	CODE	DESCRIPTION	UM	QTY
1	041416	REMOTE CONTROL	PZ	1.0
2	040554	DIPLAY FOR RADIO CONTROLLER	PZ	1.0
3	040566		PZ	1.0
4	041264	SENSOR	PZ	1.0
5	85506033	LABEL	PZ	1.0
6	040558		PZ	1.0
7	040555		PZ	4.0
8	040557		PZ	1.0
9	040559	BUTTON	PZ	1.0
10	040553	PROPORTIONAL JOYSTICK	PZ	6.0
11	040556	BUTTON	PZ	5.0
12	040561		PZ	1.0



Access Platform Division

Via San Francesco d'Assisi, 8 - 46020 Pegognaga (Mantova) - ITALY Tel. +39 0376
554011 - Fax +39 0376 559855

www.imergroup.com

Building Equipment Division

Via della Meccanica, 39 (Zona Industriale Sentino) - 53040 Rapolano Terme
(Siena) - ITALY - Tel. +39 0577 97341 - Fax +39 0577 704077

www.imergroup.com